

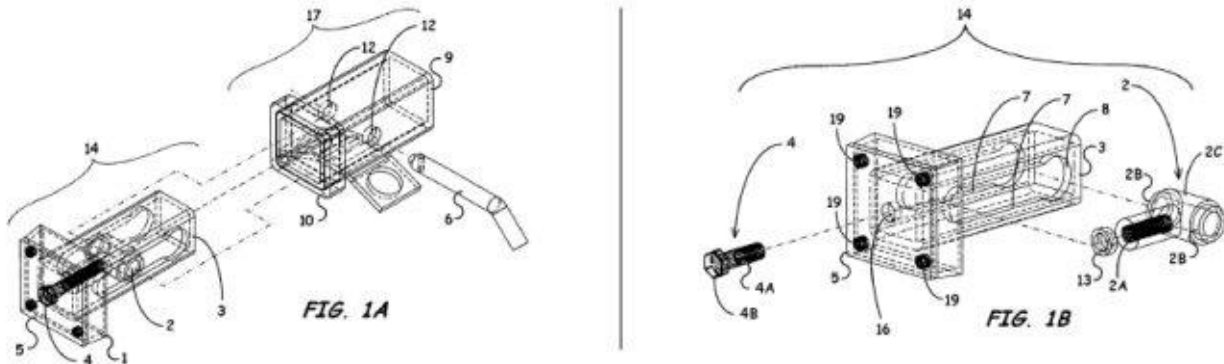
For Immediate Release

Archimedes Intellectual, LLC is granted patent for its Nesting Stabilizer.

Staunton, Virginia (July, 2010) – Archimedes Intellectual, LLC (AI), an intellectual property development firm, announced it has received a patent for its “Nesting Stabilizer” product. This revolutionary device allows most any hitch-accessory (those that employ the standard 2” hitch receiver) to be completely stable, eliminating the “shake, rattle, and roll” that is a major customer irritant.

“We are very pleased to get this patent finalized,” said inventor Ralph Kirtland. “With the Nesting Stabilizer, companies that manufacture bike racks, cargo trays and other vehicle accessories can now offer a more solid, stable and secure way to mount their products to a vehicle. Gone is the annoying chatter of a loosely-mounted accessory.”

U.S. Patent number 7,740,267 was issued on June 22nd, 2010. The heart of the invention is the flanged collar that encloses the hitch receiver’s reinforcing collar so that when the hitch-accessory is snugged tight via the integrated draw bolt, the reinforcing collar “nests” within the Nesting Stabilizer’s flanged collar. This action grips the hitch on all four sides, resulting in a significantly stable connection.



“By moving the ‘wedge-action’ to the most outboard point of the hitch receiver, and by wedging against the exterior of the hitch receiver, the Nesting Stabilizer achieves a significant improvement in rotational resistance over conventional accessory stabilization methods,” Kirtland said. “Also, because this invention leverages existing hardware on the vehicle, companies adopting the Nesting Stabilizer will be able to market their improved accessories to the massive base of existing hitch receiver owners.”

Archimedes Intellectual is looking for licensees for this new and exciting technology. For more information, see their website at: www.archimedesintellectual.com or email license@archimedesintellectual.com.

###